

Eden Bed – Twin Size

USA Item #'s: U007-1, U007-2, U007-3

Australia Item #'s: 1529-1, 1529-2, 1529-3



*Shown with mattress (sold separately)

Made in Vietnam for:
Incy Interiors Pty Ltd
2a Piper Street, Bathurst, NSW, 2795
AUSTRALIA
1300 94 20 50
www.incyinteriors.com.au

Designed and Distributed in Australia by:
Incy Interiors Pty Ltd
2a Piper Street, Bathurst, NSW, 2795
AUSTRALIA
1300 94 20 50
www.incyinteriors.com.au

IMPORTANT SAFETY INFORMATION FOR TODDLER & DAY BEDS



WARNING

WARNING: ENTRAPMENT / STRANGULATION HAZARD

Infants have died in toddler beds from entrapment and strangulation.

Failure to follow these warnings and the assembly instructions could result in serious injury or death.

NEVER use bed with children under 15 months.

NEVER place bed near windows where cords from blinds or drapes may strangle a child.

- DO NOT place bed near windows where cords from blinds or drapes may strangle a child.
- DO NOT place items with a string, cord, or ribbon around a child's neck, such as hood strings or pacifier cords.
- A child using the toddler or day bed shall be at least 15 months of age and shall not weigh more than 50lbs (22.7kgs).

Care & Maintenance

- When cleaning your bed, use a non-toxic, non-abrasive cleaner. Mix a solution of water with a small amount of a mild detergent. Apply to bed surface with a damp cloth.
- When moving the bed when assembled, always lift the unit. Do not push or drag it to avoid damaging the base.
- It is important that the humidity levels in the room be controlled from extremes of too much humidity or too little. The bed should not be placed directly next to air-conditioning, outlets, fire places, radiators, space heaters, humidifiers, or dehumidifiers. Exposure to extreme variations of temperature and humidity can damage wood products.
- Keep the bed out of direct sunlight. UV rays may fade colours and in some cases darken them. It can cause crazing or hair line cracks in the finish. White finishes will darken naturally over time and exposure to direct sunlight will hasten this natural process along with some wood darkening; this is not considered to be a quality defect.
- If you need to put your bed in storage for any period of time do not store it in a damp or hot environment. Allow air flow around the furniture and do not stack anything on it.

Check List

- Always check the bed is free from damage before use. Do not use product if any damage is present.
- Regularly check that all assembly fittings are always tightened properly and retighten as necessary.

After Sales Customer Service

When you receive your Incy Interiors product, if you need any assistance or if you have any comments with respect to any aspect of the goods, please contact your local distributor via email.

If you are missing parts you can order parts by writing to the address below or call 888 –623 –5044. Please include the product name, colour, and a brief description of the part you are missing.

You can also visit our website at www.incyinteriors.com for latest product information.

For service in United States:

Incy Interiors Pty Ltd
C/- ATC International
859 East Sepulveda Blvd
Carson, CA 90745 USA
Ph 888 –623 –5044
www.incyinteriors.com

For service in Australia:

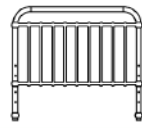
Incy Interiors Pty Ltd
2a Piper Street, Bathurst, NSW, 2795
AUSTRALIA
1300 94 20 50
www.incyinteriors.com.au

Parts list

[a]-headend



[b]-footend



[c]-siderail x 2pcs



[d]-across bar x 3pcs



[e]-wooden slat x 12pcs



[f]-side plastic holder x 24pcs



fittings

[1]-m8 x 25mm bolts x 8pcs



[2]-1/4 x 50mm bolts x 6pcs



[3]-1/4 hex nuts x 6pcs



[4]-m4 allen key x 1pc



[5]-m5 allen key x 1pc



[6]-spanner x 1pc



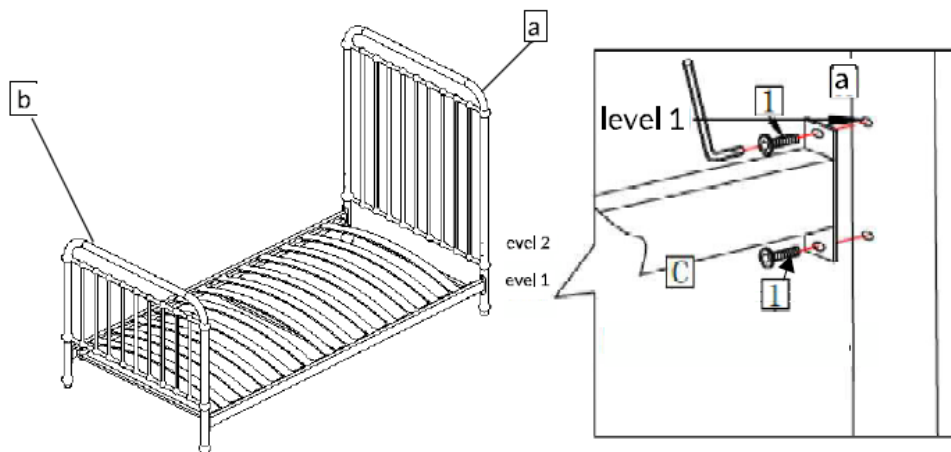
Assembly Instructions

Tools Necessary: Allen Key (included), spanner (included)

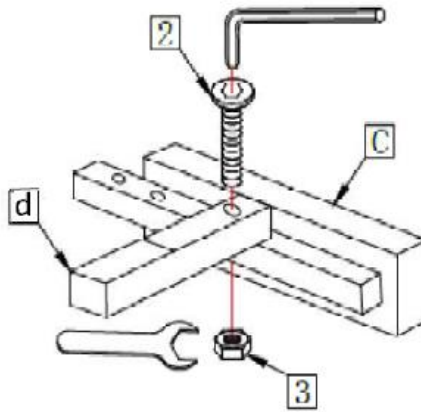
NOTE: It may be easier to assemble product with two people.

NOTE: When inserting bolts, turn clockwise until tight. Then loosen off a turn. After bed is completely assembled, return to each bolt and tighten.

1. Stand headend (part a) and footend (part b) approximately 2 metres apart. With the holes facing inwards
2. Attach the siderails (part c) onto the headend (part a) and footend with the small bolts (part 1) and small allen key (part 4) provided at the required level (Level 1 – lower, Level 2 – standard)



3. Attach the across bars (part d) to the siderails (part c) using the large bolts (part 2) and the hex nut (part 3) with the large allen key (part 5) and spanner (part 6) provided



4. Insert the wooden slats (part e) into the plastic holders (part f) – one one each end of each slat. Gently tap the plastic holders into the holes drilled on the siderails with the slats arching upwards as shown.

